

# Specifications

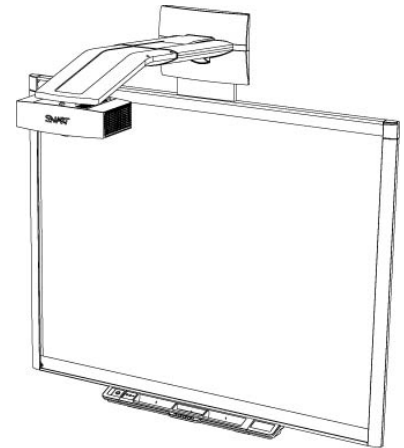
## SMART Board™ interactive whiteboard system

### Model SBX880i4

#### Physical specifications

##### SMART Board™ X880 interactive whiteboard

Size	66 1/8" W × 51 1/8" H × 6 1/2" D (168 cm × 129.9 cm × 16.5 cm)
Active screen area	(maximum interactive, projected image) 61 5/8" W × 46 1/4" H (156.5 cm × 117.5 cm) 77" (195.6 cm) diagonal
Weight	52 lb. (23.7 kg)
Shipping size	75 1/2" W × 56 1/8" H × 4 3/8" D (191.8 cm × 142.6 cm × 11.1 cm)
Shipping weight	76 lb. (34.5 kg)



All dimensions +/- 1/8" (0.3 cm). All weights +/- 2 lb. (0.9 kg).

##### SMART UF65 projector system

Projector with boom	18 1/2" W × 15 1/2" H × 50 1/4" D (47 cm × 39.4 cm × 127.6 cm)
Remote control	1 5/8" W × 3 3/8" H × 1/4" D (4.1 cm × 8.6 cm × 0.6 cm)
Weight	13 lb. 8 oz. (6.1 kg)
Shipping size (projector box)	18 1/2" W × 15 1/4" H × 8 5/16" D (47 cm × 38.7 cm × 21.1 cm)
Shipping weight (projector box)	11 lb. (5 kg)
Shipping size (boom box)	39 3/4" W × 9 1/2" H × 16" D (101 cm × 24.1 cm × 40.6 cm)

## SPECIFICATIONS

SMART Board interactive whiteboard system – Model SBX880i4

Shipping weight  
(boom box) 24 lb. 4 oz. (11 kg)

### Extended Control Panel (ECP)

Size 6 5/8" W × 2 1/8" H × 4 5/8" D (16.8 cm × 5.5 cm × 11.9 cm)  
Shipping size 16 1/2" W × 14" H × 3" D (41.9 cm × 35.6 cm × 7.6 cm)  
Shipping weight 5 lb. 11 oz. (2.6 kg)

## Standard features

<b>System requirements</b>	Windows® operating systems or Mac operating system software as detailed in <a href="http://smarttech.com/kb/126571">smarttech.com/kb/126571</a> .
<b>Software</b>	Two software CDs are included with your interactive whiteboard: SMART Product Drivers and SMART Notebook™ collaborative learning software. Software upgrades are available from <a href="http://smarttech.com/software">smarttech.com/software</a> .
<b>Environmental compliance</b>	China EIP, EU WEEE, CPSIA, US CPSIA, Packaging, Batteries and EU RoHS
<b>Regulatory certification</b>	CSA (U.S./Canada), CB, CE, FCC and C-Tick
<b>Warranty</b>	The projector and ECP have a three-year limited equipment warranty. The SMART UF65 projector lamp has a 1000 hour/one-year warranty. Your interactive whiteboard has a two-year limited equipment warranty or a five-year limited equipment warranty upon registration. See warranty documents for details.
<b>Power consumption</b>	262 W when operating, 3.3 W in Standby mode
<b>Cables</b>	Includes the necessary cables to connect the projector to the ECP. However, you must supply the appropriate input cables for your devices.

## Interactive whiteboard features

<b>Touch and gestures</b>	Perform mouse functions with your finger, and write and erase digital ink with a pen tray pen or the eraser. The Object Awareness feature enables you to pick up a pen, and then write, select or erase without replacing the pen. This interactive whiteboard also features gesture capability, providing a natural and flexible way to interact with content.
<b>Dual sketch capabilities</b>	Enables two users to draw simultaneously on the interactive whiteboard surface.

## SPECIFICATIONS

SMART Board interactive whiteboard system – Model SBX880i4

<b>Pen tray</b>	Removable end caps for optional accessories. Optical sensors in the pen tray detect when a pen or eraser is lifted from the tray. Color buttons on the pen tray enable you to select pen color.
<b>Pens and eraser</b>	Two ergonomic pens with a comfort grip and a rectangular eraser
<b>Resolution</b>	Touch resolution is approximately 4000 × 4000.
<b>Screen surface</b>	The hard-coated steel surface is durable, optimized for projection, compatible with dry-erase markers and easily cleaned.
<b>Digitizing technology</b>	Four camera DVIT™ (Digital Vision Touch) technology.
<b>Frame finish</b>	Two-tone gray. (Dark gray approximates Pantone® Charcoal Gray 18-0601 TPX. Light gray approximates Pantone Cool Grey 6C.)
<b>Wall-mount bracket</b>	32" (81.3 cm) wide bracket, five screws and five drywall anchors to support your wall-mounted interactive whiteboard
<b>Computer connection</b>	16' (5 m) USB 2.0 cable
<b>Power requirements</b>	The pen tray obtains power from the projector.
<b>SMART UF65 projector system features</b>	
<b>System components</b>	SMART UF65 projector, boom mount with a limit strap (including a controlled-collapse feature), ECP, remote control and all necessary input cables from the ECP to the projector
<b>Image adjustment</b>	The mounting boom includes three mechanical adjustments for aligning the projector image with your interactive whiteboard. The projector also has a focus lever and a digital on-screen menu for brightness, contrast and other image attributes.
<b>Display type</b>	True XGA 1024 × 768 projector
<b>Display technology</b>	The projection engine uses DLP® technology by Texas Instruments™, providing Brilliant Color™ performance and quality Gamma 2.2 correction with Bright Room, Dark Room, sRGB, User and SMART Presentation modes, and a six-segment color wheel.
<b>3D technology</b>	3D-ready projector using DLP Link™ technology
<b>Brightness</b>	Estimated at 2000 lumens (typical) at a CCT of 6500 K by the IEC method
<b>Lamp life</b>	3000 hours (Standard 200 W mode) or 5000 hours (Economy 160 W mode)
<b>Aspect ratio</b>	Native 4:3 aspect ratio, with support for 16:9, 16:10 and 5:4 aspect ratios
<b>Contrast ratio</b>	2000:1
<b>Video system compatibility</b>	NTSC, NTSC 4.43, PAL, PAL-N, PAL-M, SECAM

## SPECIFICATIONS

SMART Board interactive whiteboard system – Model SBX880i4

<b>Video interface compatibility</b>	Composite, S-video, and VESA RGB, with additional interface support for Component YPbPr and Component YCbCr inputs with the proper adapters (not included)																												
<b>Video format compatibility</b>	Native 4:3 aspect ratio XGA projector resolution. With scaling, supports VGA, SVGA, SXGA, Quad VGA, SXGA+ and UXGA formats.																												
<b>Synchronization</b>	Auto image synchronization (auto tracking, frequency, position adjustment, source detect and phase detect)																												
<b>Mounting hardware</b>	Includes hardware for mounting the SMART UF65 projector on framed and solid walls. Includes a safety tether and limit strap.																												
<b>Projector mounting template</b>	The template ensures simple installation and accurate alignment between the SMART UF65 projector and your SMART Board X880 interactive whiteboard.																												
<b>Installation instructions</b>	The installation instructions for your SMART Board X880i4 interactive whiteboard system are included in the ECP box. Don't use the installation instructions included in your SMART Board interactive whiteboard box when installing the SMART Board X880i4 interactive whiteboard system. Additional documentation is available from <a href="http://smarttech.com/support">smarttech.com/support</a> .																												
<b>Projector connections</b>	<table border="1"><thead><tr><th>Connector</th><th>Connect to:</th></tr></thead><tbody><tr><td>Power</td><td>Power supply</td></tr><tr><td>4-pin power mini-DIN 5V/2A output</td><td>ECP harness cable</td></tr><tr><td>7-pin mini-DIN</td><td>ECP harness cable</td></tr><tr><td>RS-232F (DB9)</td><td>ECP harness cable</td></tr><tr><td>DB15F RGB video input (VGA 1)</td><td>Primary computer (not included)</td></tr><tr><td>DB15F RGB video input (VGA 2)</td><td>Secondary computer (not included)</td></tr><tr><td>3.5 mm stereo audio-input (×2)</td><td>Stereo Y cable</td></tr><tr><td>DB15F RGB video output (VGA Out)</td><td>Secondary display (not included)</td></tr><tr><td>3.5 mm stereo audio-output</td><td>Speakers (not included)</td></tr><tr><td>RCA composite video input (and left and right RCA audio input)</td><td>Video source (not included) through RCA connector pod</td></tr><tr><td>4-pin mini-DIN S-video input (and left and right RCA audio input)</td><td>Video source (not included)</td></tr><tr><td>RJ45 network</td><td>Network (for SNMP access)</td></tr><tr><td>USB B</td><td>Computer (for service access)</td></tr></tbody></table>	Connector	Connect to:	Power	Power supply	4-pin power mini-DIN 5V/2A output	ECP harness cable	7-pin mini-DIN	ECP harness cable	RS-232F (DB9)	ECP harness cable	DB15F RGB video input (VGA 1)	Primary computer (not included)	DB15F RGB video input (VGA 2)	Secondary computer (not included)	3.5 mm stereo audio-input (×2)	Stereo Y cable	DB15F RGB video output (VGA Out)	Secondary display (not included)	3.5 mm stereo audio-output	Speakers (not included)	RCA composite video input (and left and right RCA audio input)	Video source (not included) through RCA connector pod	4-pin mini-DIN S-video input (and left and right RCA audio input)	Video source (not included)	RJ45 network	Network (for SNMP access)	USB B	Computer (for service access)
Connector	Connect to:																												
Power	Power supply																												
4-pin power mini-DIN 5V/2A output	ECP harness cable																												
7-pin mini-DIN	ECP harness cable																												
RS-232F (DB9)	ECP harness cable																												
DB15F RGB video input (VGA 1)	Primary computer (not included)																												
DB15F RGB video input (VGA 2)	Secondary computer (not included)																												
3.5 mm stereo audio-input (×2)	Stereo Y cable																												
DB15F RGB video output (VGA Out)	Secondary display (not included)																												
3.5 mm stereo audio-output	Speakers (not included)																												
RCA composite video input (and left and right RCA audio input)	Video source (not included) through RCA connector pod																												
4-pin mini-DIN S-video input (and left and right RCA audio input)	Video source (not included)																												
RJ45 network	Network (for SNMP access)																												
USB B	Computer (for service access)																												
<b>Projector fan operating temperatures</b>	<ul style="list-style-type: none"><li>• Standard speed – 0' to 6000' (0 m to 1800 m): 41°F to 95°F (5°C to 35°C)</li><li>• High speed – 6000' to 6800' (1800 m to 2100 m): 41°F to 86°F (5°C to 30°C)</li></ul>																												
<b>Projector noise</b>	36 dBA (high fan speed) or 31 dBA (standard fan speed), measured using the JIS method																												
<b>Power requirements</b>	100V AC to 240V AC, at 50 Hz to 60 Hz																												

## SPECIFICATIONS

SMART Board interactive whiteboard system – Model SBX880i4

<b>Power cable</b>	Includes a 14' 9" (4.5 m) power cable
<b>External control</b>	4-pin connector on ECP for RS-232 protocol room control systems. The cable is available separately from your authorized SMART reseller ( <a href="http://smarttech.com/wheretobuy">smarttech.com/wheretobuy</a> ).
<b>Alert broadcast feature</b>	Enables administrators to send notification messages to network-connected SMART UF65 projector systems for immediate on-screen display.
<b>Remote control</b>	Provides an alternative method of controlling SMART UF65 projector settings
<b>Theft protection</b>	<p>The SMART UF65 projector system features an optional padlocked ring to prevent theft.</p> <p>There are no projector menu options on the ECP. Keep your remote control in a safe place because the ECP is not a substitute for the remote control.</p> <p>A Kensington® security lock slot is provided to secure the system to a wall as a visual and physical theft deterrent.</p>

### ECP features

#### Input/output connections

Connector	Connect to:
RJ11 6-wire	Pen tray
USB B	Pen tray
11-pin	ECP harness cable
4-pin	Room control
Mini USB B	Primary computer (not included) using the provided cable
Mini USB B	Secondary computer (not included)
USB A	USB drive (not included)

#### **i** NOTE

RCA jacks for audio and composite video inputs are available on the separate RCA connector pod, which is included in the ECP box.

<b>Volume control</b>	Controls sound range
<b>Power button</b>	Turns the interactive whiteboard and projector on and off

## SPECIFICATIONS

SMART Board interactive whiteboard system – Model SBX880i4

**Input selection button** Select the projector video and audio inputs from the available sources:

- VGA 1 (primary computer)
- VGA 2 (secondary computer)
- Composite
- S-video

## Storage and operating specifications

**Storage**

- Maximum storage temperature: 122°F (50°C)
- Minimum storage temperature: -40°F (-40°C)

**Operation**

- Using standard fan speed, 41°F to 95°F (5°C to 35°C) from 0' to 6000' (0 m to 1800 m)
- Using high fan speed, 41°F to 86°F (5°C to 30°C) from 6000' to 6800' (1800 m to 2100 m)
- In Service mode, 41°F to 86°F (5°C to 30°C) from 6800' to 9800' (2100 m to 3000 m)

## SMART order numbers

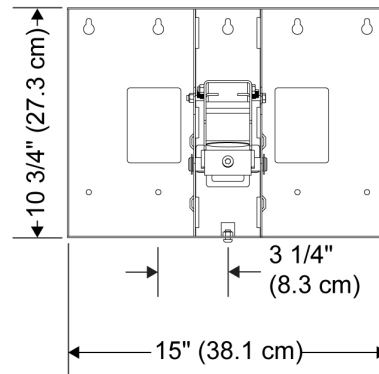
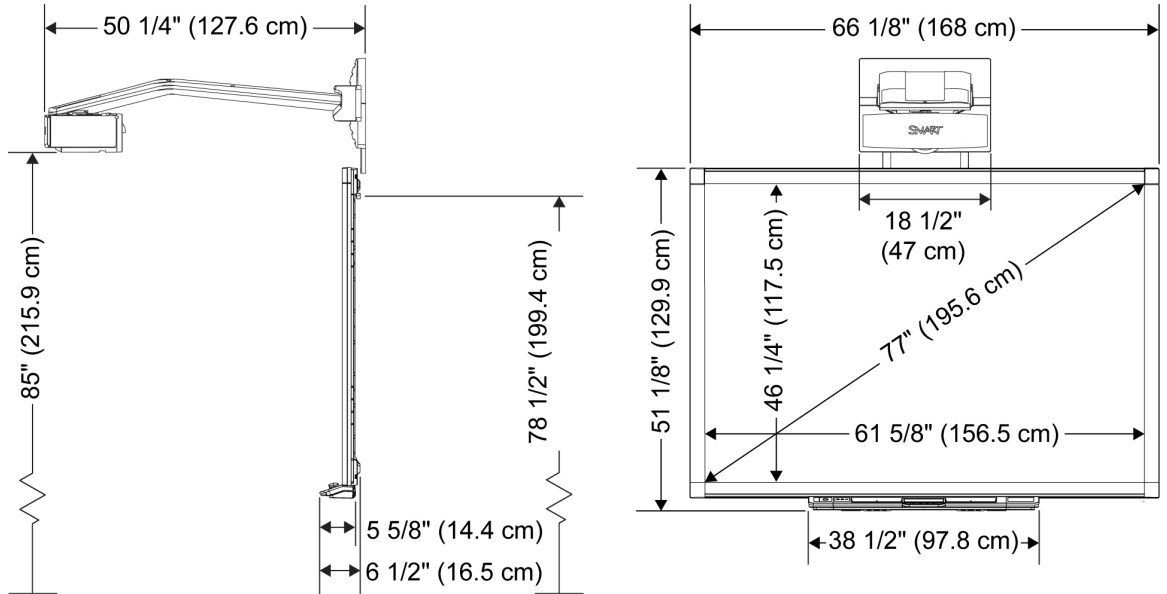
**SBX880i4** 77" (195.6 cm) diagonal SMART Board X880 interactive whiteboard with a SMART UF65 projector system

**20-01032-20** Replacement projector lamp

## SPECIFICATIONS

SMART Board interactive whiteboard system – Model SBX880i4

### Physical dimensions



[www.smarttech.com/support](http://www.smarttech.com/support) | [www.smarttech.com/contactsupport](http://www.smarttech.com/contactsupport)  
Support +1.403.228.5940 or Toll Free 1.866.518.6791 (U.S./Canada)

© 2010-2011 SMART Technologies ULC. All rights reserved. SMART Board, SMART Notebook, DVIT, smarttech, the SMART logo and all SMART taglines are trademarks or registered trademarks of SMART Technologies ULC in the U.S. and/or other countries. Brilliant Color, DLP, DLP Link and Texas Instruments are trademarks of Texas Instruments. All other third-party product and company names may be trademarks of their respective owners. Patent No. US5448263; US6141000; US6337681; US6421042; US6540366; US6563491; US6674424; US6747636; US6760009; US6803906; US6829372; US6919880; US6954197; US7184030; US7236162; US7289113; US7342574; US7379622; US7411575; US7532206; US7619617; US7626577; US7643006; US7692625; USD602972; CA2058219; CA2386094; EP1297488; EP1739528; JP4033582; JP4052498; JP4057200; ZL0181236.0; and DE60124549. Other patents pending. Contents are subject to change without notice. 09/2011.